

# L125GHNRRKIT



## L1/L2/L5 GNSS Hangar Networked Re-Radiating Kit Technical Product Data

### Features

---

- High Gain Amplified Roof Antenna
  - Provides 35 dB gain via internal LNA.
- Re-Radiating Amplifier with External Power Supply
  - 30 dB gain typical.
- Optional Kit Mounting Hardware
  - Roof Antenna Mount & Re-Radiating Amplifier Mount available.
- Optional Re-Radiating Variable Gain Amplifier
  - Adjustable gain from 0 dB to 26 dB.
- Optional Re-Radiating Variable Gain LCD Amplifier
  - Adjustable gain from 1 dB to 30 dB.



### Description

---

The **L1/L2/L5 GNSS Hangar Networked Re-Radiating Kit (L125GHNRRKIT)** comes with the components to build a re-radiating system that can re-radiate all the major GNSS frequencies indoors. The GNSS signals received by the roof antenna are amplified and re-radiated to GPS receivers indoors, eliminating the need to attach receivers directly to the roof antenna. The **L125GHNRRKIT** consists of an active roof antenna, a passive re-radiating antenna, any required RF adapters, and a re-radiating amplifier (L1/L2GHNRRKAMP) with an external power supply that powers the entire system. A cable from the roof antenna to the re-radiating kit is required and can be purchased separately. With up to 150ft of LMR400 low loss coax cable connecting the roof antenna to the re-radiating amplifier, the L125GHNRRKIT will transmit GNSS signals indoors to receivers up to 100 feet away.

In the standard Networked (Externally Powered) configuration, the re-radiating amplifier output (**J1**) is DC Blocked. Custom gain, DC power, and connector configurations are available upon request.

### Use Cases

- To re-radiate signal indoors for GPS product testing.
- To maintain GPS signal for military vehicles parked indoors.
- To facilitate faster GPS signal acquisition for military aircraft inside a hangar.
- In combination with one of our splitter devices to create a GPS distribution network.

# L125GHNRRKIT

## Re-Radiating Amplifier Electrical Specifications, TA=25°C

### General Specification

Parameter	Notes	Min	Typ	Max	Unit
Frequency Range	Covers all major GNSS constellations.	1.1		1.7	GHz
Characteristic Impedance	Input and output ports matched to 50Ω.		50		Ω
Req. DC Input V.	Operating Voltage Range.	3.3		15	VDC
Current Draw	Typical current consumption.		36	40	mA

### GPS L1 & L2 RF Specification <sup>(1)</sup>

Parameter	Notes	Min	Typ	Max	Unit
Gain	The relative increase in signal power provided by the amplifier.	29	30	31	dB
Input SWR	Input Standing Wave Ratio: S11			2.0:1	-
Output SWR	Output Standing Wave Ratio: S22			2.0:1	-
Noise Figure	The increase in noise power relative to an ideal amplifier.		L1:2.00 L2:4.25		dB
Band Gain Flatness	The difference in loss or gain between the L1 and L2 frequencies.		0.5	1.0	dB
Group Delay	The transmit time for the signal passing through the device.		L1:1.5 L2:2.1		ns
Reverse Isolation	Attenuation applied signals traveling backwards through the amplifier: S12.		L1: -55 L2: -60		dB
Input P1dB	The 1dB compression point.		L1: -21.5 L2: -23.0		dBm
3rd Order Intercept	Third-order intercept point at L1.		-14		dBm

(1): Performance is slightly reduced around GPS L5. If working on sensitive L5 applications, please request performance data.

External Power Options (Networked Option)		
Source Voltage Options	Voltage Input	Style
	110VAC	Transformer (ITA Type A Wall Mount)
	220VAC	Transformer (ITA Type C Wall Mount)
	240VAC (United Kingdom)	Transformer (ITA Type G Wall Mount)
	Customer Supplied DC 9-32 VDC	MIL-DTL-5015 10SL Two-Pin DC Connector (Includes Mate)
Output Voltage Options <sup>(2)</sup>	DC Voltage Out	Max Current out For Corresponding Vout
	3.3 V	110mA
	5V	130mA
	9V	140mA
	12V	180mA
	15V	220mA
	Custom	Custom
Standard DC Configuration without External Power Option		
All Ports Pass DC		
Standard DC Configuration with any External Power Option (AC/DC or Military DC)		
J1 Port DC Blocked with 200Ω load standard		
Antenna Port is DC Pass		
Connector Options	Connector Style	Charge
	Type N-female	No Charge
	Type SMA-female	No Charge
	Type TNC-female	No Charge
	Type BNC-female	No Charge
	Other	Contact GPS Networking

(2): With Network Option, any RF port (input or output) can be specified to Pass DC or Block DC

# L125GHNRRKIT

## L125GPSA-T Roof Antenna Electrical Specifications, TA=25°C

Parameter	Notes	Min	Typ	Max	Unit
Frequency	Receives and amplifies all major GNSS constellations.	1539 1164		1610 1300	MHz
Axial Ratio	Ratio between the major and minor axes of the polarization ellipse.			0.5	dB
LNA Gain	The relative increase in signal power provided by the internal LNA.		35		dB
Antenna Gain	The increase in signal power relative to an isotropic antenna source.		3.4		dBic
GPS L1 Bandwidth	Passband centered at GPS L1 frequency.		71		MHz
GPS L2/L5 Bandwidth	Passband covering the GPS L2/L5 frequencies.		136		MHz
Filtering	Out of band rejection +/-50MHz from band-edge	-35	-45	>-80	dB
Noise Figure	The increase in noise power relative to an ideal amplifier.		3.0		dB
Output SWR	Output Standing Wave Ratio: S22 over the passband.		1.5:1	2.0:1	-
Characteristic Impedance	Output port matched to 50Ω.		50		Ω
Req. DC Input V.	Operating Voltage Range.	2.3		16	VDC
Current Draw	Typical current consumption.			40	mA
<b>Polarization</b>					
<b>Right Hand Circular Polarization</b>					
Connector Options	Connector Style	Charge			
	Type TNC-female	No Charge			

## L125GRRKPA-T Re-Radiating Antenna Electrical Specifications, TA=25°C

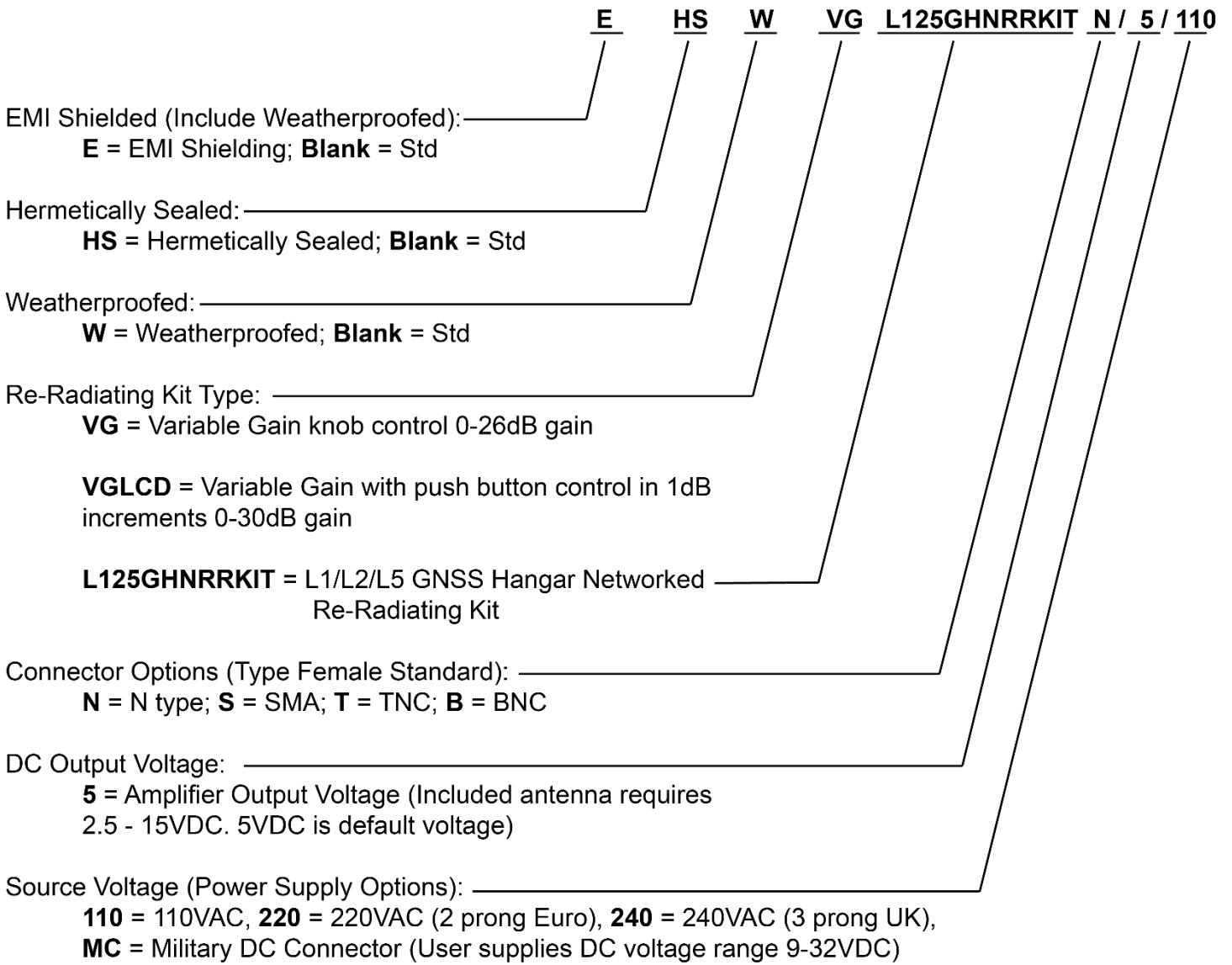
Parameter	Notes	Min	Typ	Max	Unit
Frequency	Receives and amplifies all major GNSS constellations.	1539 1164		1610 1300	MHz
Axial Ratio	Ratio between the major and minor axes of the polarization ellipse.			0.5	dB
Antenna Gain	The increase in signal power relative to an isotropic antenna source.		3.4		dBic
Output SWR	Output Standing Wave Ratio: S22 over the passband.		1.5:1	2.0:1	-
Characteristic Impedance	Output port matched to 50Ω.		50		Ω
Beamwidth	The 3dB angular width of main emission lobe.		120		°
<b>Polarization</b>					
<b>Right Hand Circular Polarization</b>					
Connector Options	Connector Style	Charge			
	Type TNC-female	No Charge			

### Kit Contents

- **1 x L125GPNRRKAMP**
  - 30 dB GNSS amplifier with external power supply.
- **1 x L125GPSA-T**
  - 35 dB active GNSS roof antenna.
- **1 x L125GRRKPA-T**
  - Passive L1/L2/L5 GNSS reradiating antenna.
- **RF Adapters**
  - RF adapters will be included to allow connections between the included TNC(f) antennas and the selected amplifier RF connector type.
- **1 x Reradiating Kit Installation Instructions**

# L125GHNRRKIT

## Part Number Configuration



(Military DC Mating Connector is included standard with the MC power option).

When no external power supply option (AC or DC) is selected, Output 1/J1 is Pass DC standard.  
 When external power supply option is selected, Output 1/J1 is DC blocked standard.

Contact GPS Networking Technical Support at 1-800-463-3063 or [salestech@gpsnetworking.com](mailto:salestech@gpsnetworking.com) for any questions regarding non-standard configurations and corresponding part numbers.

# L125GHNRRKIT

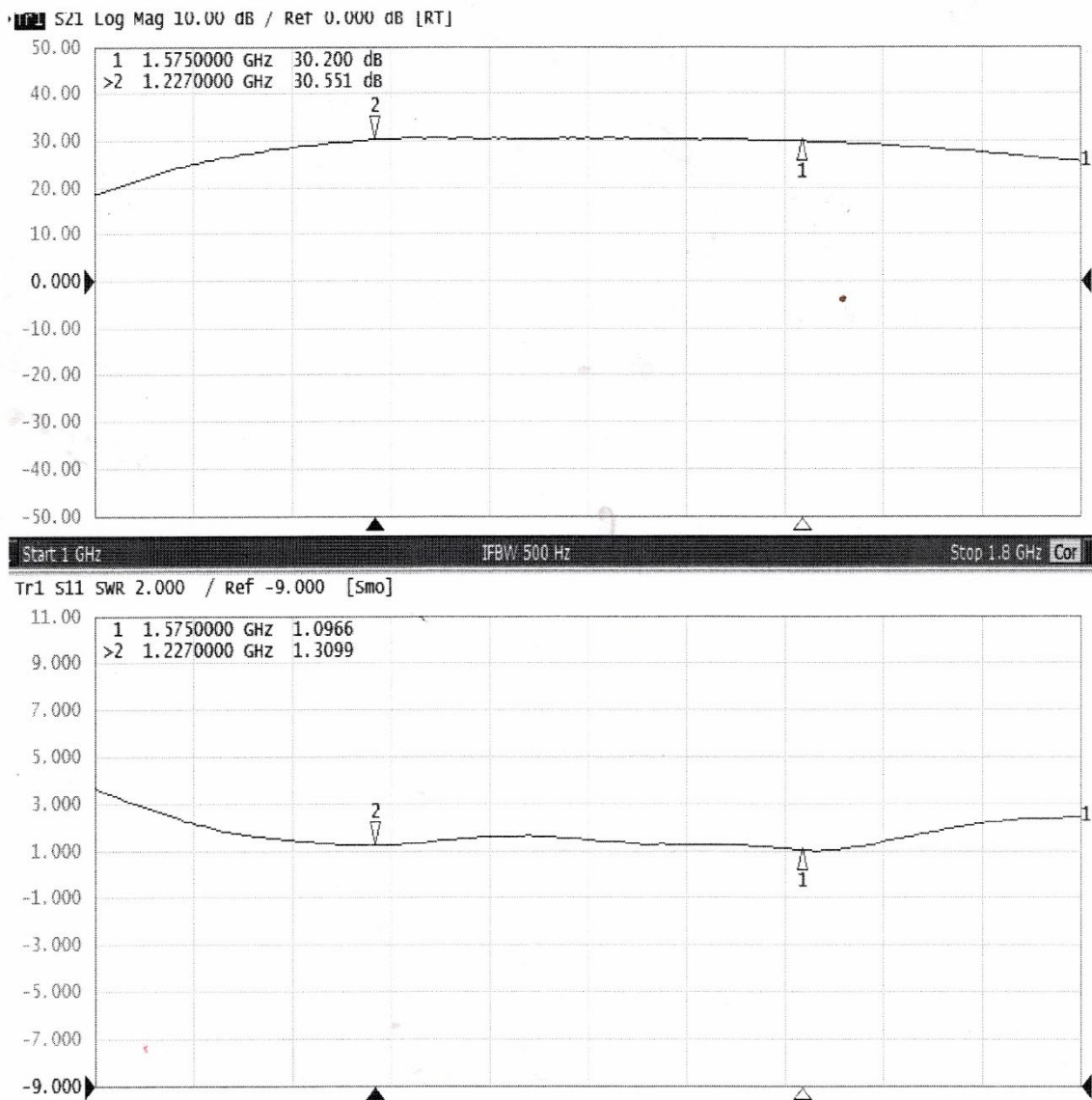
## Performance

### L125GHNRRKAMP (Standard Gain)

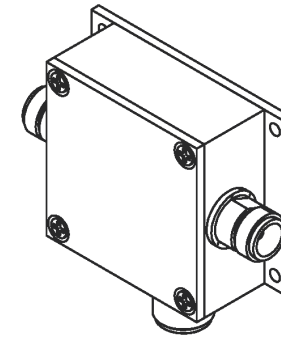
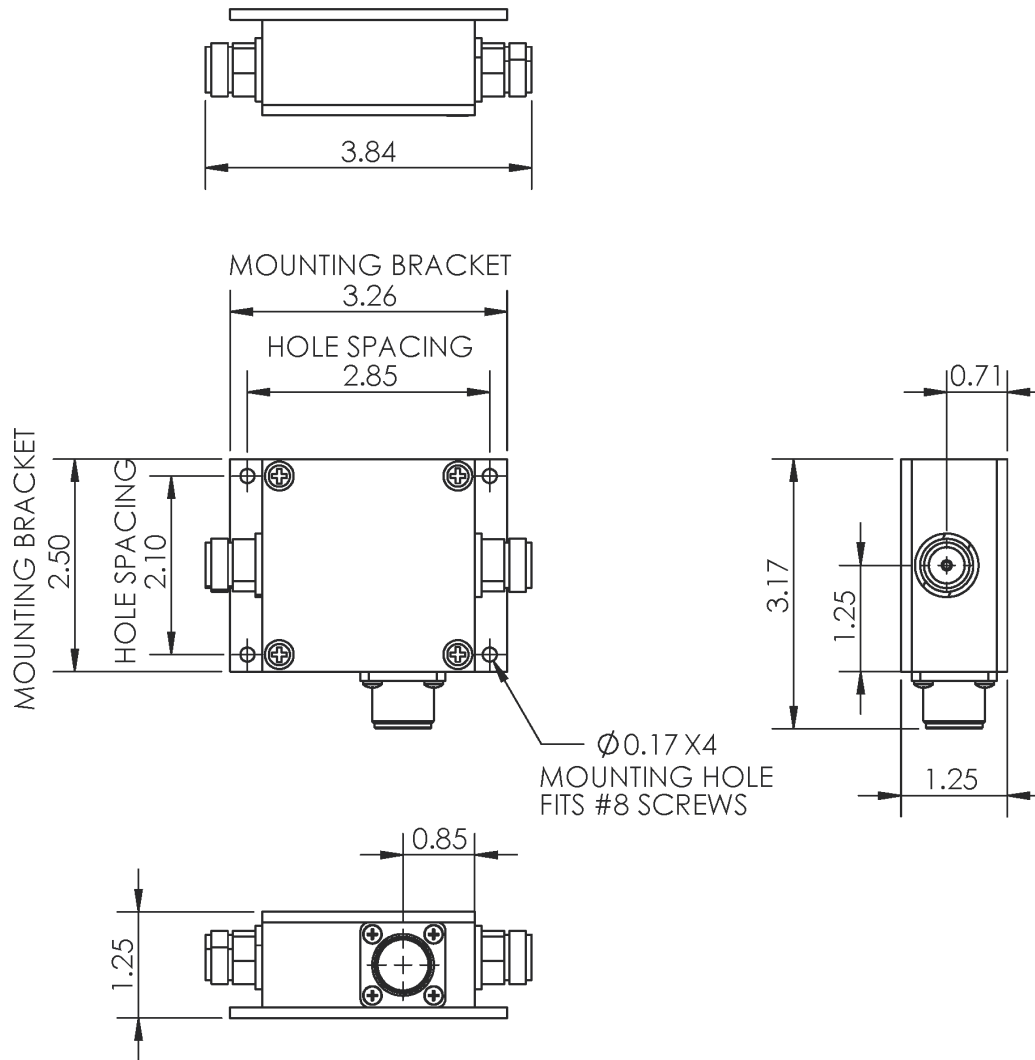
Each L125GHNRRKAMP ships with a test sheet that verifies critical performance characteristics, such as gain, input VSWR, and amplitude balance; a typical VNA test sheet is shown below:



## Test Data



# Mechanical



Mechanical Dimensions:  
 Depth: 1.3"  
 Width: Body: 2.5"  
           Baseplate: 3.25"  
 Height: 2.5"  
 Dimensions listed above do not include connectors  
 Weight: 9.6oz (272g) MAX  
 Maximum weight is with female N-connector option  
 Weight will vary by connector type  
 Operating Temperature Range: -57°C to +87°C  
 Housing and Baseplate Finish: Electroless Nickel Plated (MIL-C-26074C, Class 1 0.0001-0.0003 MAX)  
 Lid Finish: Anodize, Type II, Class 2, Black, per MIL-A-8625

Female N connectors shown, other options available  
 MC - Military DC connector shown, other options available  
 EMI shielding may increase dimension by 0.02 inches per axis



HNRRKAMP-N/5/MC

Hangar Networked Re-Radiating Kit Amplifier

Tolerances:  
 X ± 0.030  
 XX ± 0.015  
 XXX ± 0.005  
 Angle ± 1°

12-21-2020

NW

Scale: 1:2

Rev: 1

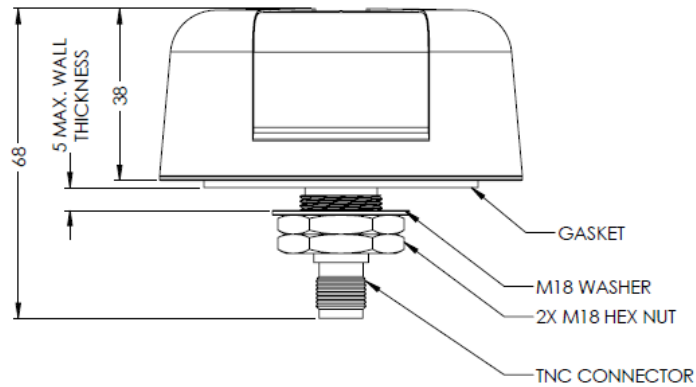
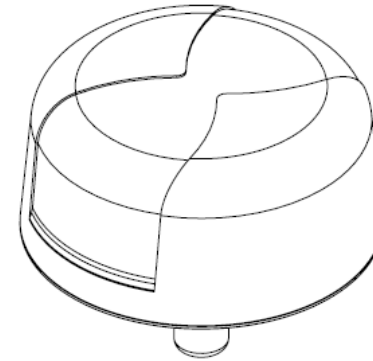
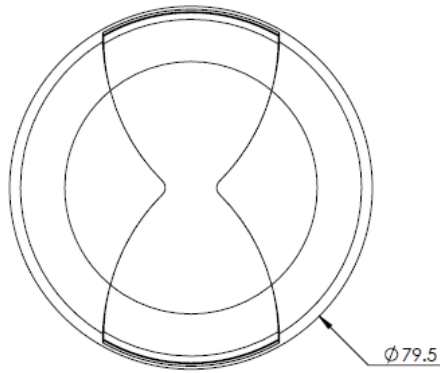
Sheet 1 of 1

Units are inches and degrees

Contact us at [salestech@gpsnetworking.com](mailto:salestech@gpsnetworking.com) for 3D models or CAD drawings.

GPS Networking PN: L125GPSA-T

DRAWING REVISION HISTORY			
REV	DESCRIPTION	DATE	BY
1	INITIAL RELEASE	2023-06-01	MP



NOTES:

1. MOUNTING TYPE: SCREW MOUNT
2. MAX. MOUNTING THICKNESS: 5 MM
3. DIMENSIONS ARE AFTER MOUNTING.
4. MATERIALS:
  - RADOME: PC
  - BASE: ALUMINUM
  - RADOME COLOR: BLACK
5. CERTIFICATIONS: IP67

ITEM 100-00282-01 REVISION HISTORY			
REV	DESCRIPTION	DATE	BY
1	INITIAL RELEASE	2023-06-01	MP

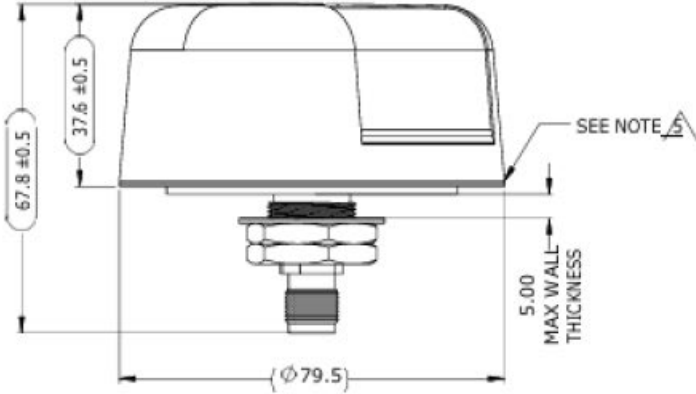
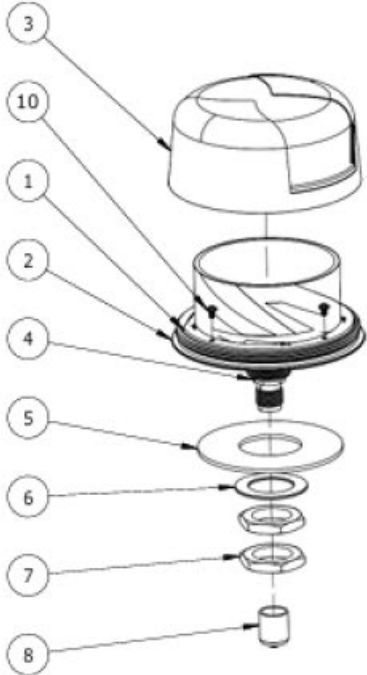
PROPRIETARY AND CONFIDENTIAL

THE INFORMATION CONTAINED IN THIS DRAWING IS THE SOLE PROPERTY OF MAXTENA, INC. ANY REPRODUCTION IN PART OR AS A WHOLE WITHOUT THE WRITTEN PERMISSION OF MAXTENA, INC IS PROHIBITED.

UNLESS OTHERWISE SPECIFIED:	NAME	DATE
DIMENSIONS ARE IN MM	DRAWN	MP 2023-06-01
TOLERANCES:	CHECKED	ZX 2023-06-02
FRACTIONAL ±	ENG APPR.	IPC 2023-06-05
ANGULAR: MATCH ± .5° BEND ±	MFG APPR.	
ONE PLACE DECIMAL ± 1.0	G.A.	
TWO PLACE DECIMAL ± .50		
INTERPRET GEOMETRIC TOLERANCING PER:		
	CAD MAINTAINED. CHANGES SHALL BE INCORPORATED BY THE DESIGN ACTIVITY.	
DO NOT SCALE DRAWING		

MAXTENA, INC		
TITLE:		
100-00282-01		
M10HCT-A-TNC		
SIZE	DWG. NO.	REV
B	117-00714-01	1
CAGE CODE: 5KQH7	SCALE: NONE	SHEET 1 OF 1

GPS Networking PN: L125GRRKPA-T



DRAWING REVISION HISTORY

REV	DESCRIPTION	DATE	BY
1	INITIAL RELEASE	2022-09-25	MP

