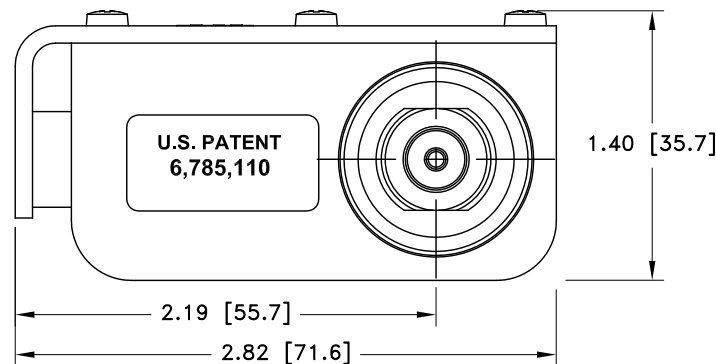
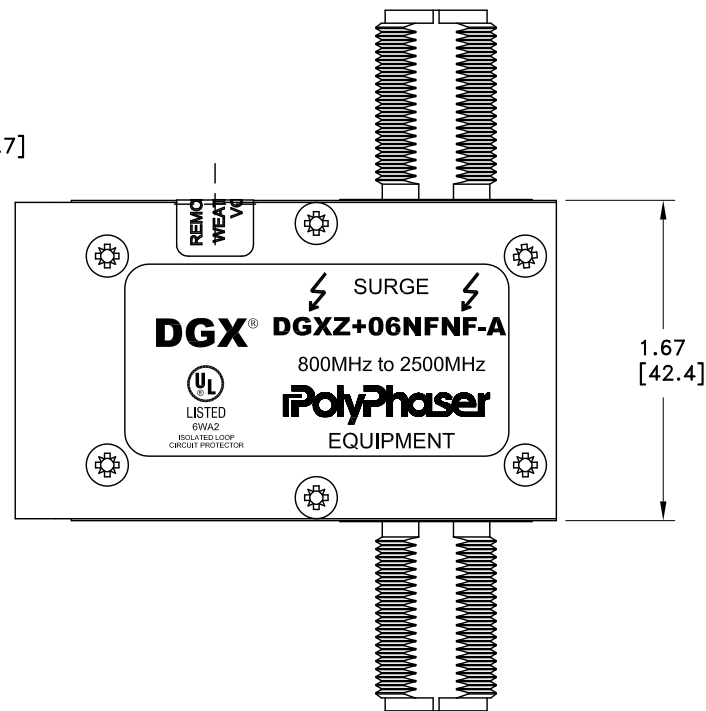
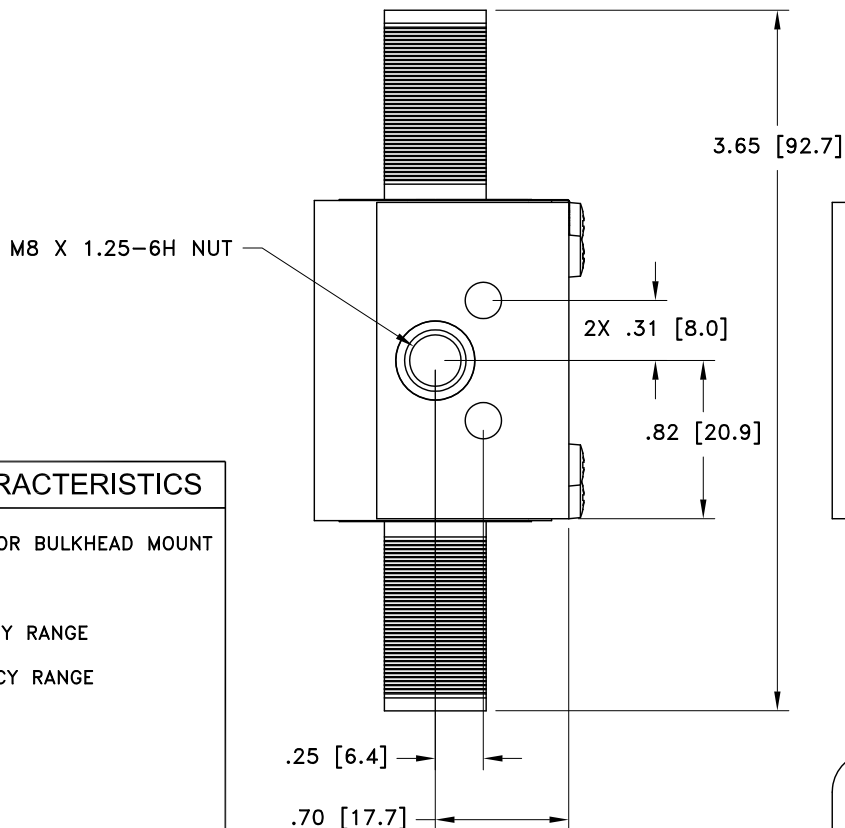


ALL DESIGN, OPERATIVE AND PROCESS DATA PERTAINING TO THE ARTICLE SHOWN ON THIS SHEET IS THE PROPERTY OF POLYPHASER CORPORATION. THE INFORMATION IS NOT TO BE COPIED, REPRODUCED, REVEALED TO OR APPROPRIATED BY OTHERS WITHOUT THE EXPRESS WRITTEN CONSENT OF POLYPHASER CORPORATION.

These commodities or technology are exported from the U.S. in accordance with the Export Administration Regulations. Diversion contrary to U.S. law prohibited.

REVISIONS

REV LTR	DATE	ENG	MKTG	Q.A.
J	02/05/08 SH	KCB	WO	LJ



CUSTOMER APPROVAL: _____ DATE: _____

ALL DIMENSIONS SHOWN ABOVE ARE FOR REFERENCE ONLY.

MAXIMUM CHARACTERISTICS

APPLICATION:
WEATHERIZED, FLANGE OR BULKHEAD MOUNT

FREQUENCY RANGE:
800MHz TO 2500MHz

VSWR:
≤1.1:1 OVER FREQUENCY RANGE

INSERTION LOSS:
≤0.1dB OVER FREQUENCY RANGE

POWER:
300W RMS

TURN ON:
+6.5Vdc

TURN ON TIME:
4ns FOR 2kV/ns

MAX. SURGE:
20kA IEC 61000-4-5 8/20μs WAVEFORM

THROUGHPUT ENERGY:
≤175μJ FOR 3kA, 8/20μs WAVEFORM

USER VOLTAGE:
+6.0Vdc MAX

USAGE CURRENT:
≤4.0A CONTINUOUS

RELATIVE HUMIDITY:
TO 95%

ENVIRONMENTAL:
COMPLIANT TO IEC 60950-1 SECTION 7.4.2
MEETS IEC 60529 IP67
MEETS BELLCORE #TA-NWT-000487
PROCEDURE 4.11, WIND DRIVEN (120MPH)
RAIN INTRUSION TEST.

TEMPERATURE:
-50°C TO +85°C STORAGE/OPERATING

DRAFTER I. BENNETT	DATE 03/15/02
MECH ENGINEER -	DATE -
ELEC ENGINEER K. BARTEL	DATE 03/25/02
MARKETING P. HEEREN	DATE 03/26/02
QUALITY DEPT R. MATHEUS	DATE 03/25/02

PolyPhaser
P.O. BOX 9000 MINDEN, NV 89423 TEL: 775-782-2511 FAX: 775-782-4476
DWG NO/PART NO/DESCRIPTION

DGXZ+06NFNF-A
CUSTOMER PRINT

CAGE CODE 61114	FILE NAME -C1	SCALE 1/1	SHEET 1 OF 1
--------------------	------------------	--------------	-----------------